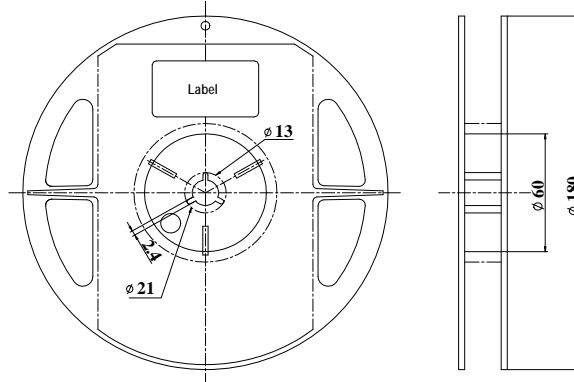
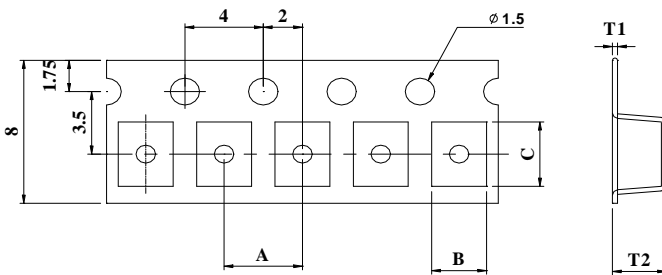


Packaging Information

- Reel Dimension

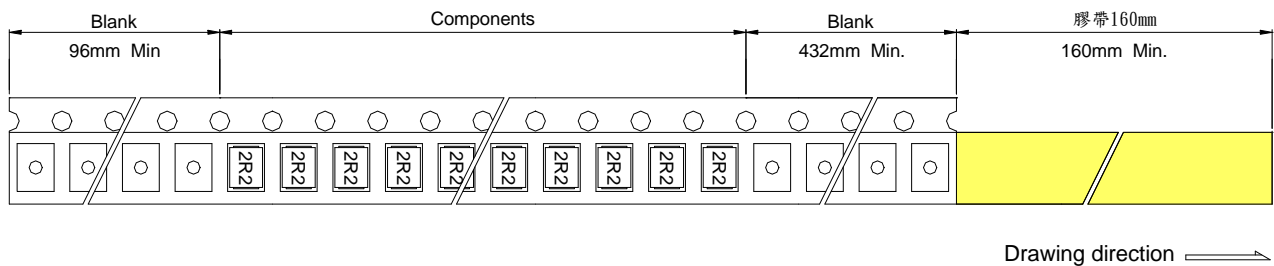


- Tape Dimension



| A (mm) | B (mm) | C (mm) | T1 (mm) | T2 (mm) |
|-----------|-----------|-----------|------------|------------|
| 4 | 2.8 | 3.5 | 0.3 | 2.45 |

- Packaging Quantity



| | Type | Size(mm) | Q'ty |
|---|-----------------|-------------|---------|
| 1 | 7" Plastic reel | φ 180*11 | 2000pcs |
| 2 | Box | 195*70*197 | 5 Reels |
| 3 | Carton 1 | 380*212*220 | 5 Box |
| 4 | Carton 2 | 412*388*220 | 10 Box |